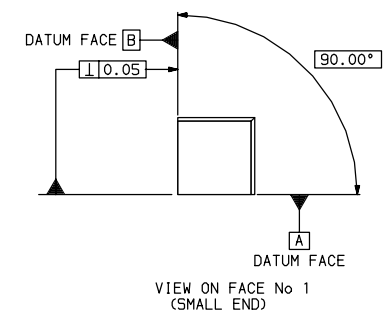
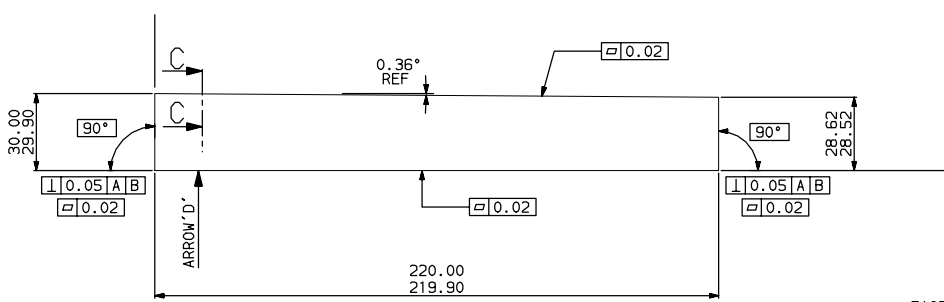
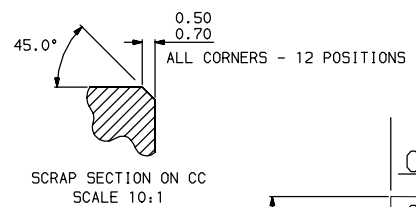
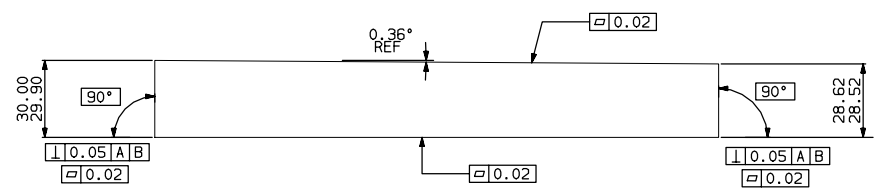
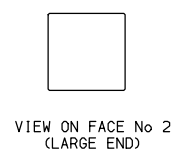
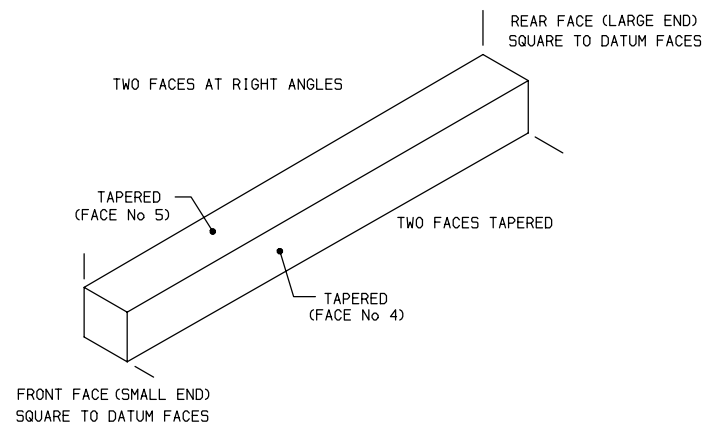


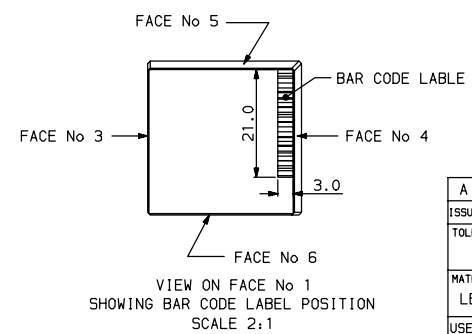
PROPERTIES  
 VOLUME 189.02 cubic cm  
 DENSITY 8.28 gram/cubic cm  
 MASS 1.565 kg



ENGRAVE ON CRYSTAL NUMBER MUST BE ON DATUM FACE 'A'



SCRAP VIEW ON ARROW 'D'



NOTE  
 1 THE CRYSTAL NUMBER ENGRAVED ON FACE 'A' - DATUM REFERENCE

A	12-JUN-98	---	BJSMTIH	---	*	ISSUED
ISSUE	DATE	MOD. NO.	DRN. BY	CHKD.	APPD.	STATUS
TOLERANCES UNLESS STATED			FINISH		ORIGINAL SCALE	
			CLEAN		1:1	
			REMOVE ALL BURRS		DO NOT SCALE	
MATERIAL & SPEC.			SURFACE TEXTURE $\mu\text{m}$		0 50 mm	
LEAD TUNGSTATE			✓ UNLESS STATED			
USED ON					© CCLRC 1998	
THE CENTRAL LABORATORY OF THE RESEARCH COUNCILS RUTHERFORD APPLETON LABORATORY, CHILTON, OXON OX11 0QX.						
TITLE						
CRYSTAL 30x220x1300						
PROJECT ENGINEER			ECAL-EE		TDL014-099	
FOR INFORMATION					-TB-0054-100-00-A	

CMS	1	2000-09-18
PROJECT ENGINEER	2	2000-09-28
FOR INFORMATION	3	
CMSEESC00002		