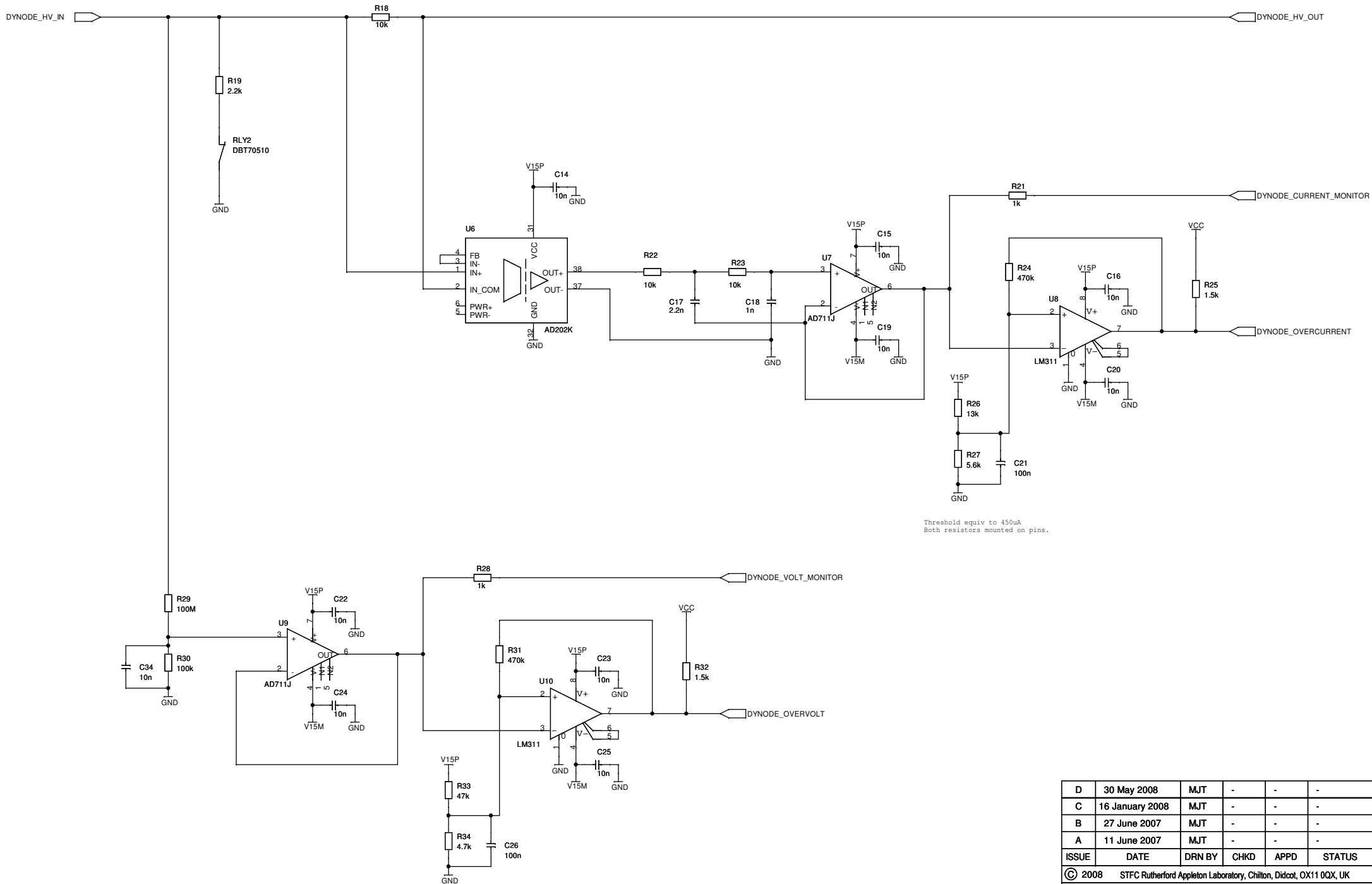


Threshold equiv to 450uA  
Both resistors mounted on pins.

Threshold equiv to 1.5kV  
Both resistors mounted on pins.

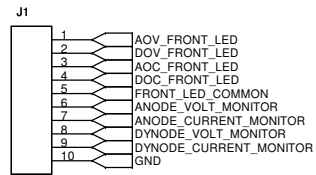
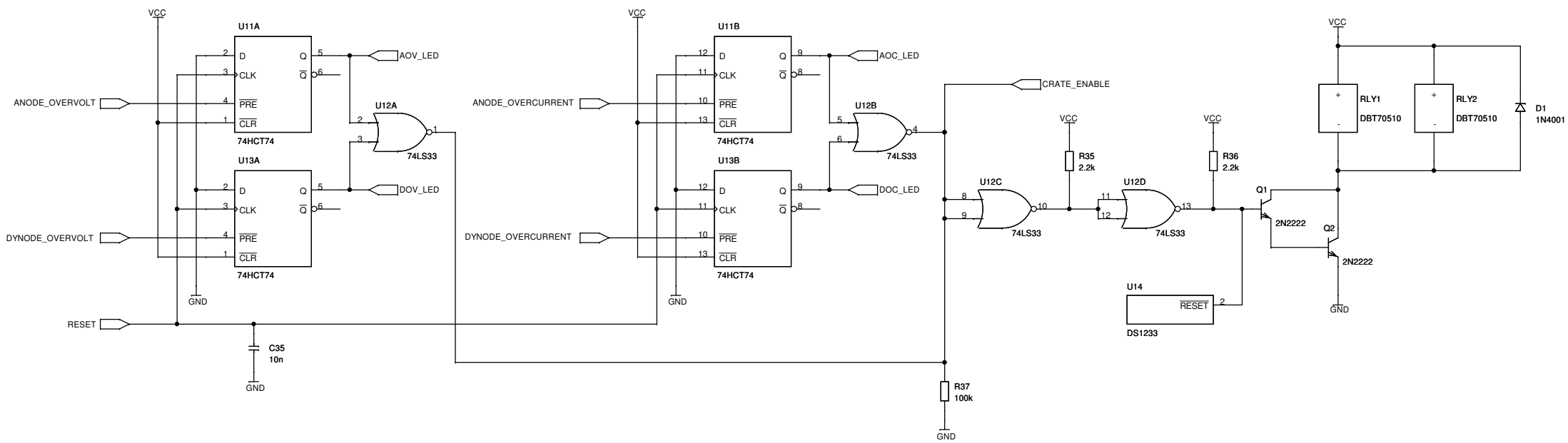
D	30 May 2008	MJT	-	-	-
C	16 January 2008	MJT	-	-	-
B	27 June 2007	MJT	-	-	-
A	11 June 2007	MJT	-	-	-
ISSUE	DATE	DRN BY	CHKD	APPD	STATUS
© 2008 STFC Rutherford Appleton Laboratory, Chilton, Didcot, OX11 0QX, UK					
TITLE: CMS ECAL HV Distribution System Input Card - Anode-Related Part					
DRG NO: A3-TA-0001-369-01-D					
PCB NO: PC 20258			ECD NO: -		



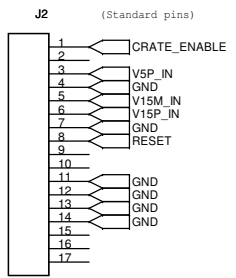
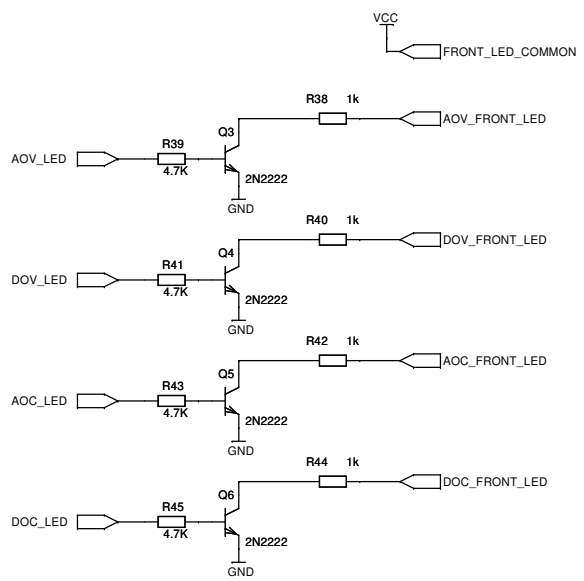
Threshold equiv to 450uA  
Both resistors mounted on pins.

Threshold equiv to 1.5kV  
Both resistors mounted on pins.

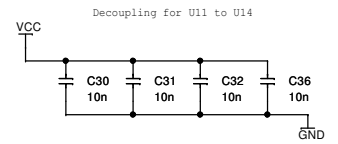
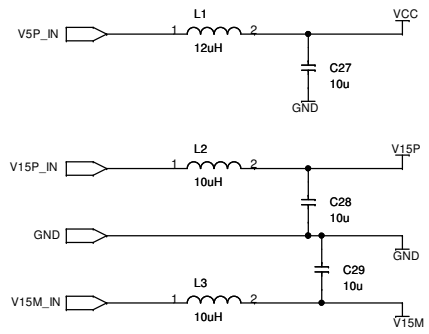
D	30 May 2008	MJT	-	-	-
C	16 January 2008	MJT	-	-	-
B	27 June 2007	MJT	-	-	-
A	11 June 2007	MJT	-	-	-
ISSUE	DATE	DRN BY	CHKD	APPD	STATUS
© 2008 STFC Rutherford Appleton Laboratory, Chilton, Didcot, OX11 0QX, UK					
TITLE: CMS ECAL HV Distribution System Input Card - Dynode-Related Part					
DRG NO: A3-TA-0001-369-02-D					
PCB NO: PC 20258			ECD NO: -		



PCB HEADER  
Front panel connections



DSUB 21WA4  
Backplane connector



ISSUE	DATE	DRN BY	CHKD	APPD	STATUS
D	30 May 2008	MJT	-	-	-
C	16 January 2008	MJT	-	-	-
B	27 June 2007	MJT	-	-	-
A	11 June 2007	MJT	-	-	-

© 2008 STFC Rutherford Appleton Laboratory, Chilton, Didcot, OX11 0QX, UK

TITLE: CMS ECAL HV Distribution System  
Input Card - Logic and Interfaces

DRG NO: A3-TA-0001-369-03-D

PCB NO: PC 20258

ECD NO: -