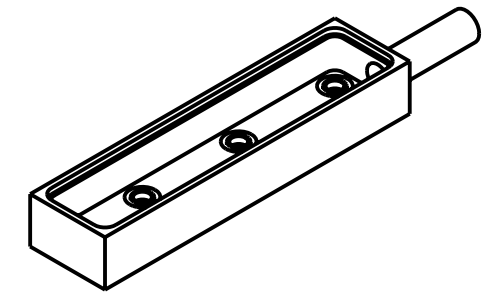
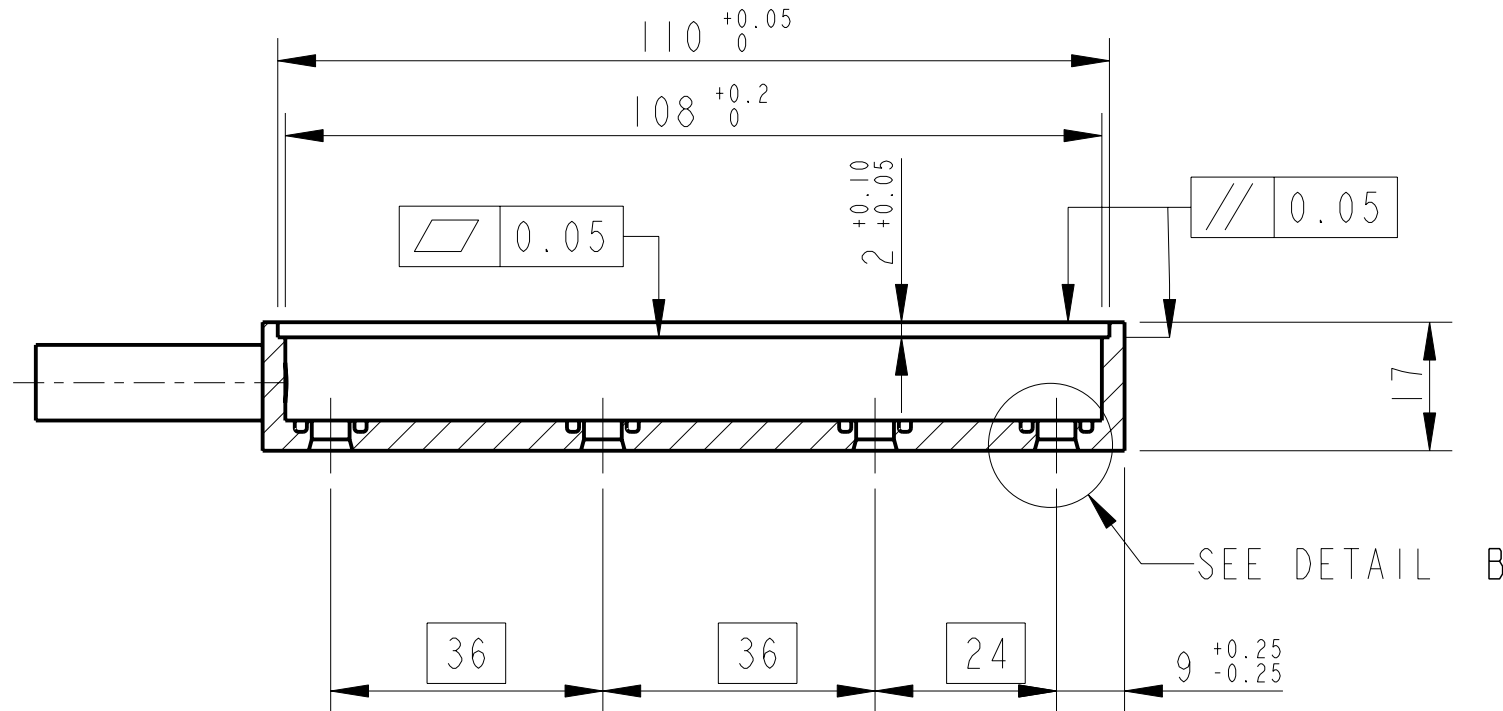


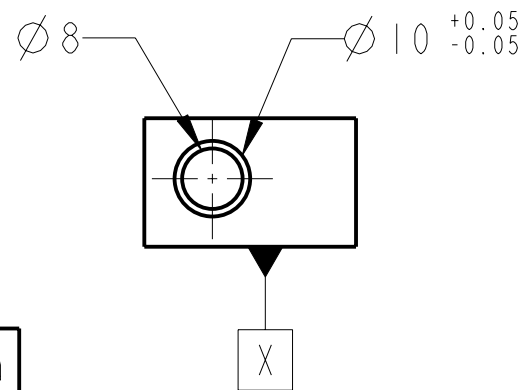
DETAIL B
SHOWING DETAIL OF WELD PREP
(TYP 4 PLACES)
SCALE 2:1



SCALE 1:2



SECTION A-A



X

B	03/10/06	TB-0286.	S BUTTERWORTH	JAH	JAH	REL
ISSUE	DATE APPD	MOD. No.	DRN. BY	CHKD BY.	APPD BY.	STATUS
USED ON					0-TD-1029-787	
					© CCLRC 2006	
CENTRAL LABORATORY OF THE RESEARCH COUNCILS RUTHERFORD APPLETON LABORATORY, CHILTON, OXON OX110QX						

TOLERANCES UNLESS STATED		FINISH		ORIGINAL SCALE		TITLE		
±0.5 mm ±0.25°		CLEAN & DEGREASE REMOVE ALL BURRS		1:1 DO NOT SCALE		MANIFOLD BLOCK - RH 4 WAY EE MECHATRONICS		
MATERIAL & SPEC.		SURFACE TEXTURE μm		DENSITY = 7860 kg/m ³ MASS = 177 grams		CMS ECAL EE		
STAINLESS STEEL 304L		3.2 ✓ UNLESS STATED				ADR027		
A3 TD-1029-779					SHEET		1 OF 1 B	