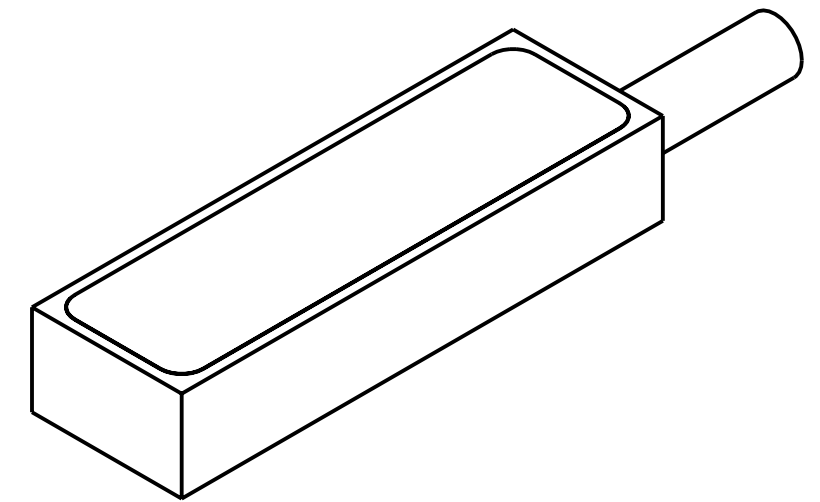


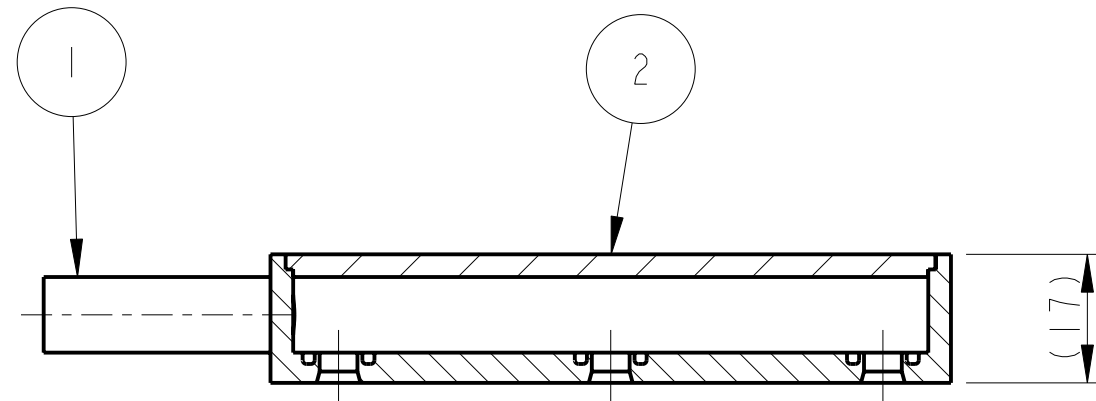
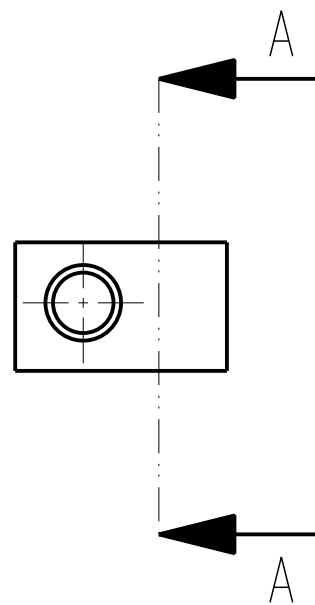
ITEM	MODEL No. DRG No. / CAT No.	TITLE	QTY	REMARKS
1	TD-1029-777	MANIFOLD BLOCK - RH 3 WAY	1	.
2	TD-1029-780	MANIFOLD LID	1	.



SEE NOTE



SCALE 1:1



SECTION A-A

NOTES

1 DO NOT WELD LID TO BLOCK.
ELECTRON BEAM WELD BLOCK TO COOLING BARS PRIOR TO ASSEMBLING THE LID

SEE ASSEMBLIES TD-1029-782 TO 787 INCLUSIVE FOR FURTHER INFORMATION

TOLERANCES UNLESS STATED

±0.5 mm
±0.25°

FINISH

CLEAN & DEGREASE
REMOVE ALL BURRS

ORIGINAL SCALE

1:1
DO NOT SCALE

MATERIAL & SPEC.

SEE DETAIL DRGS

SURFACE TEXTURE μm

3.2

✓ UNLESS STATED

MASS = 232 g

A	21/4/06	-----	S BUTTERWORTH	JAH	JAH	REL
ISSUE	DATE APPD	MOD. No.	DRN. BY	CHKD BY.	APPD BY.	STATUS

USED ON

© CCLRC 2006

CENTRAL LABORATORY OF THE RESEARCH COUNCILS RUTHERFORD APPLETON LABORATORY, CHILTON, OXON OX110QX

TITLE

**MANIFOLD ASSEMBLY (RH)
EE MECHATRONICS**

CMS ECAL EE

ADR027