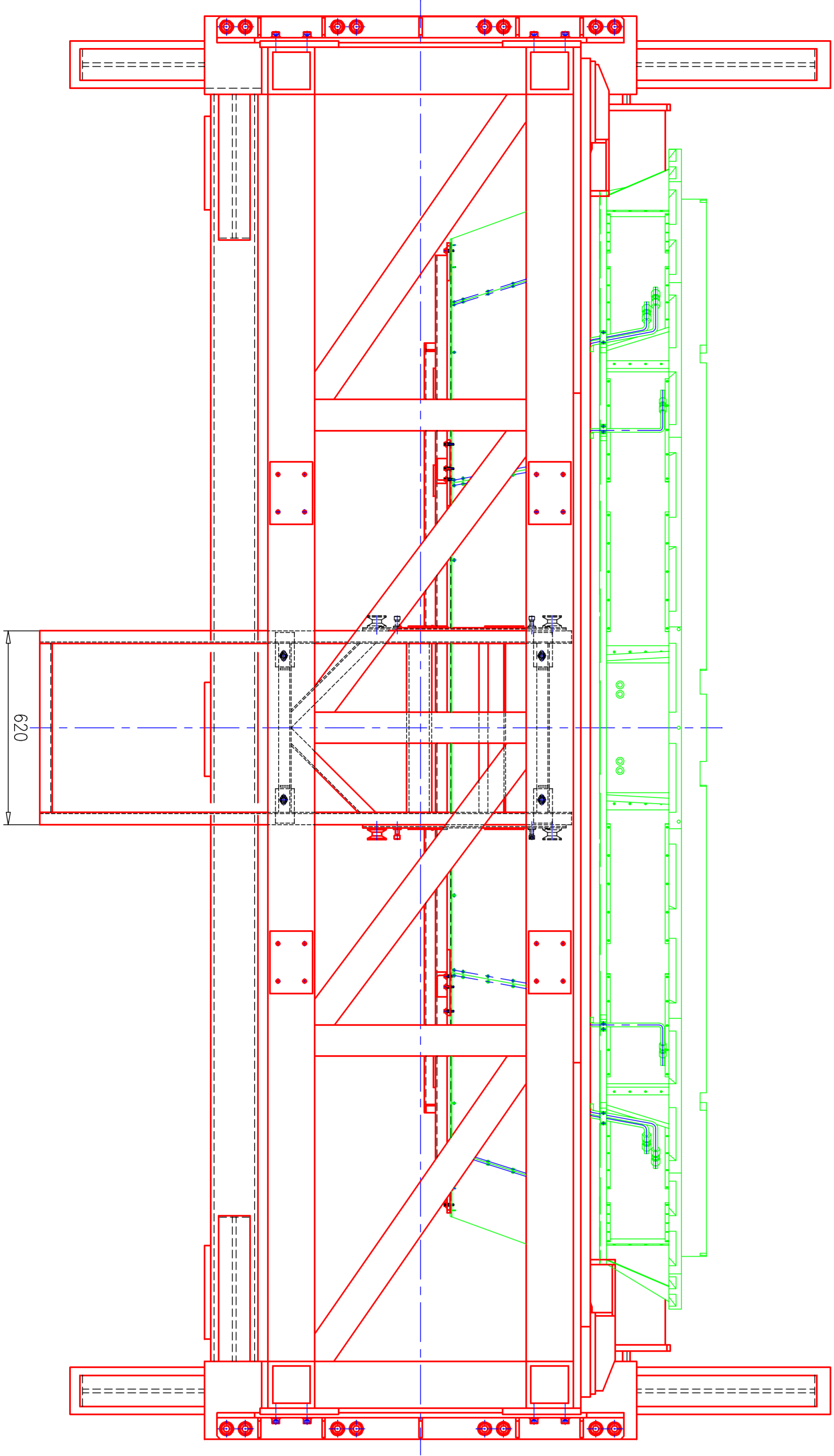
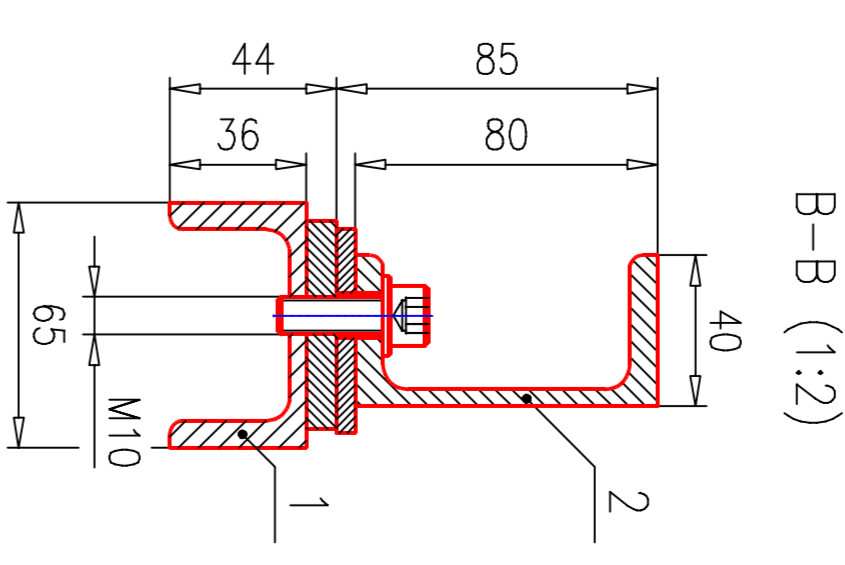
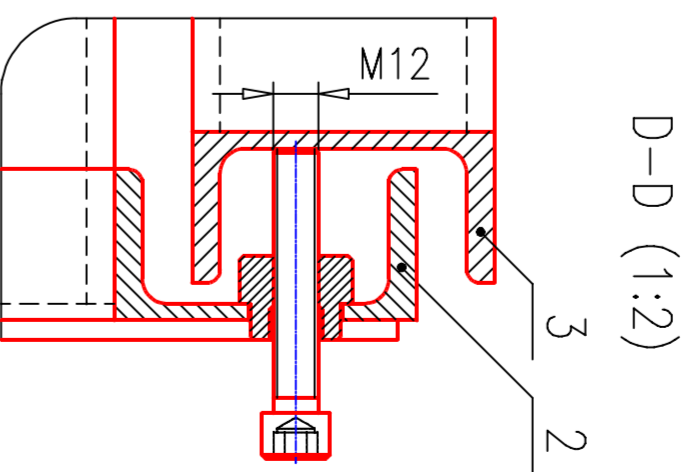
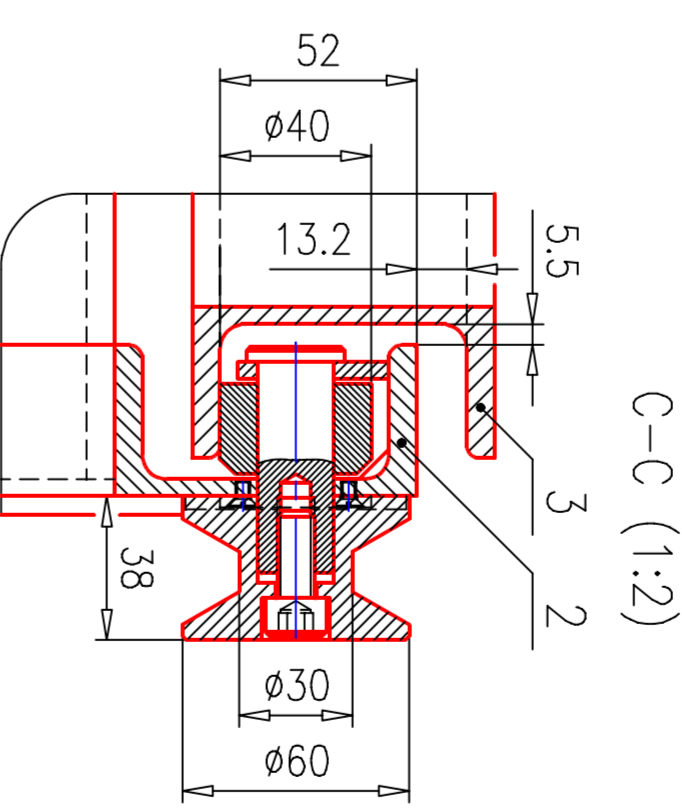
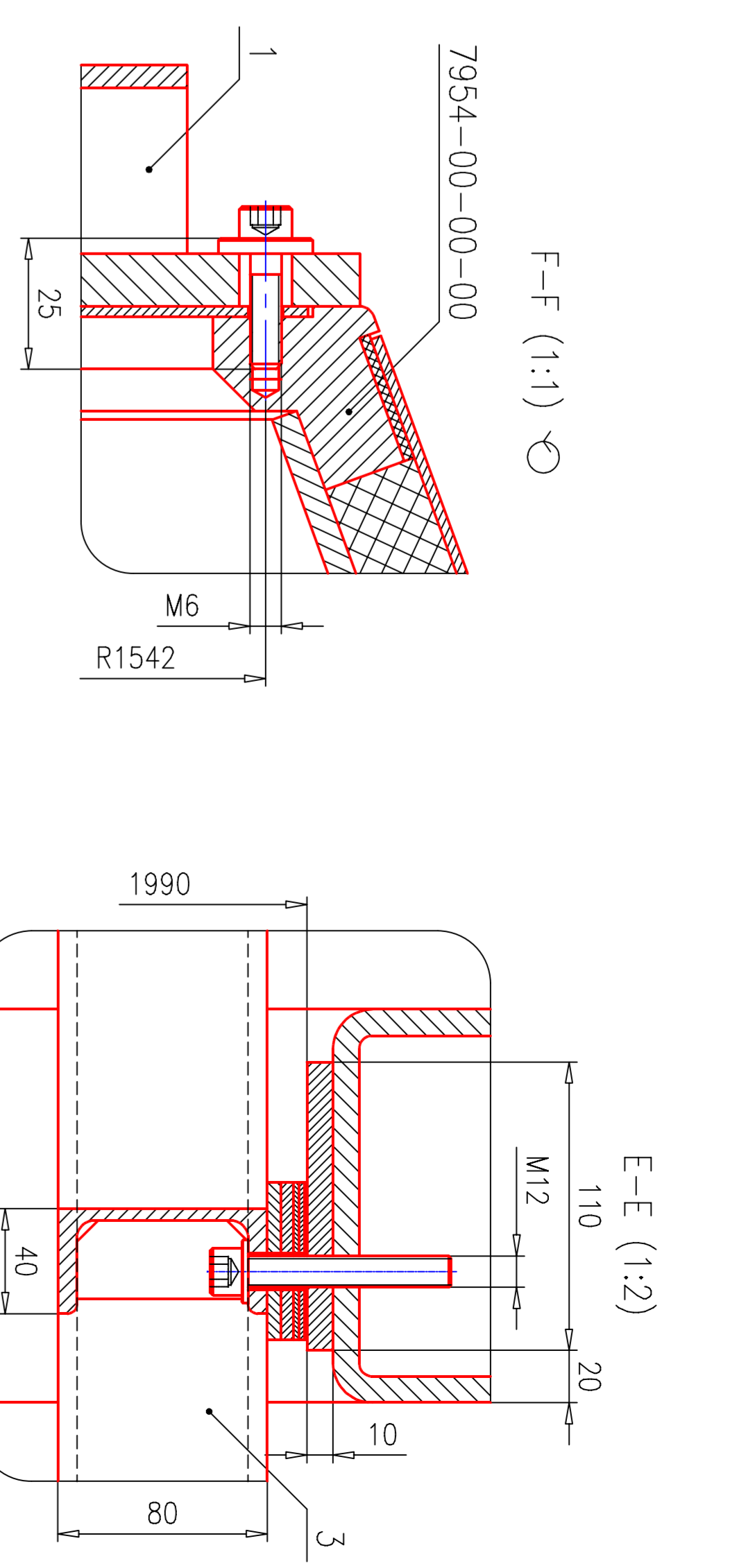
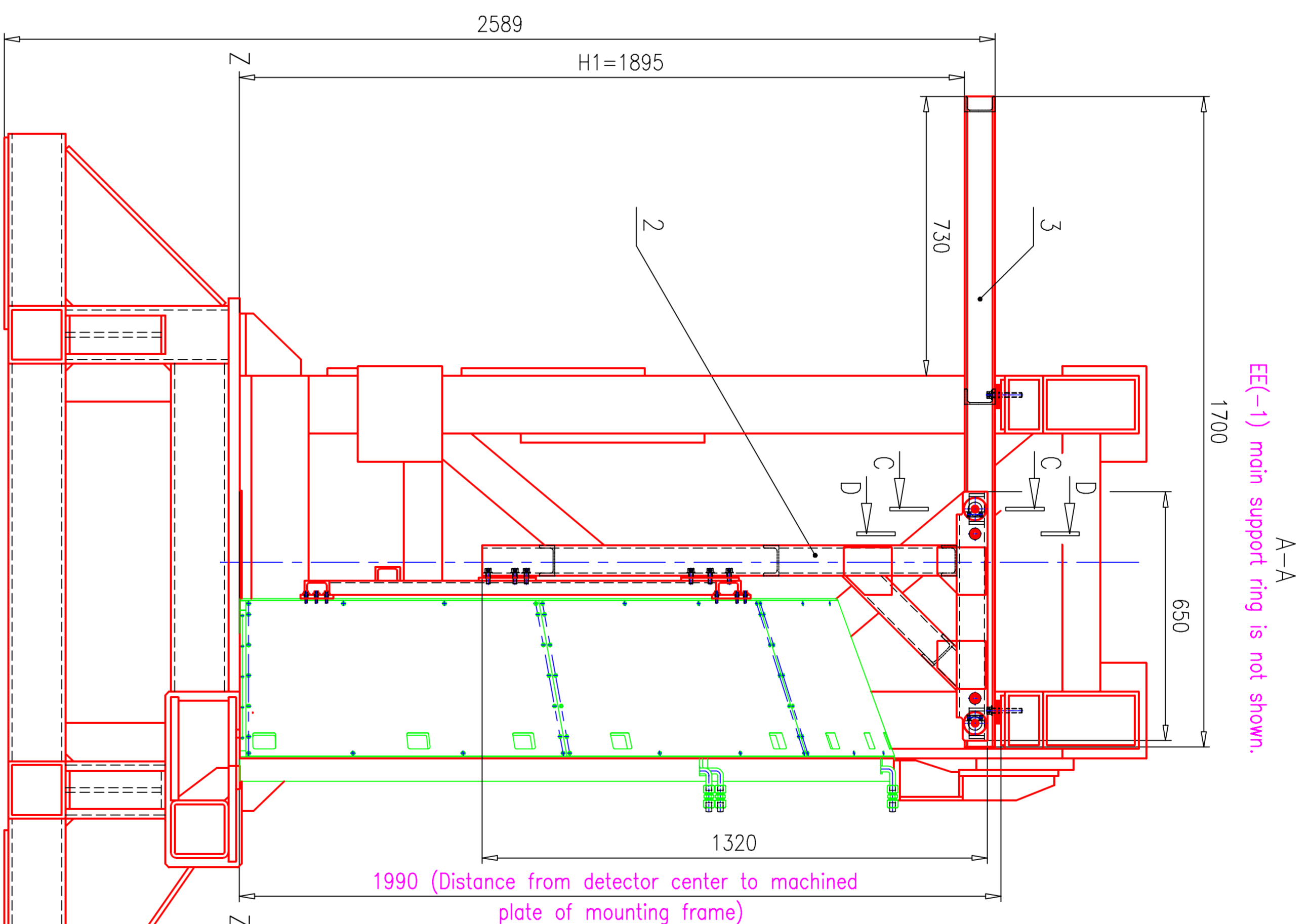
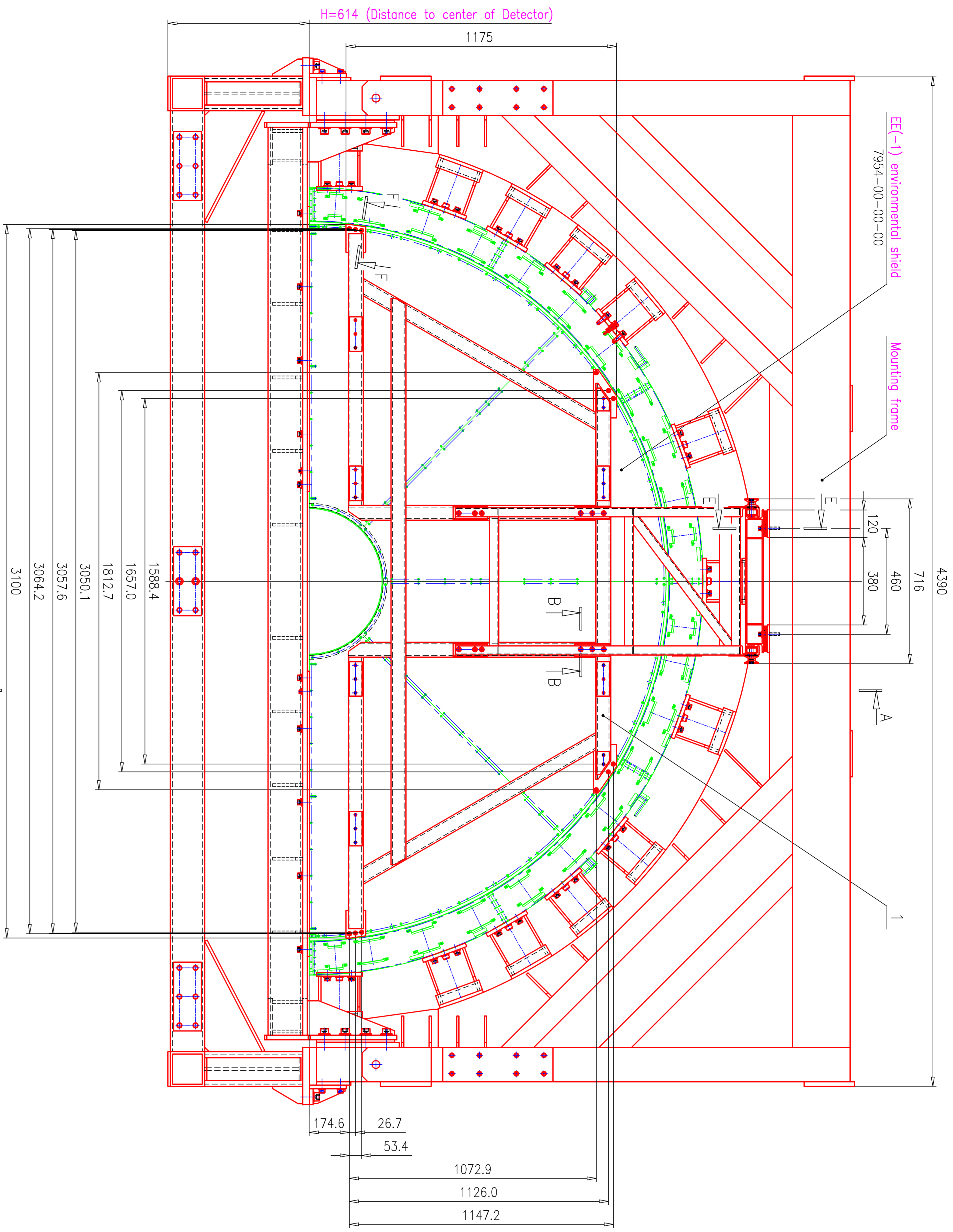


N°	ORIG.	SIGN AND DATE	CHANGE N°	COPY N°	SIGN AND DATE	NOTE N°	FIRST APPLICATION
----	-------	---------------	-----------	---------	---------------	---------	-------------------

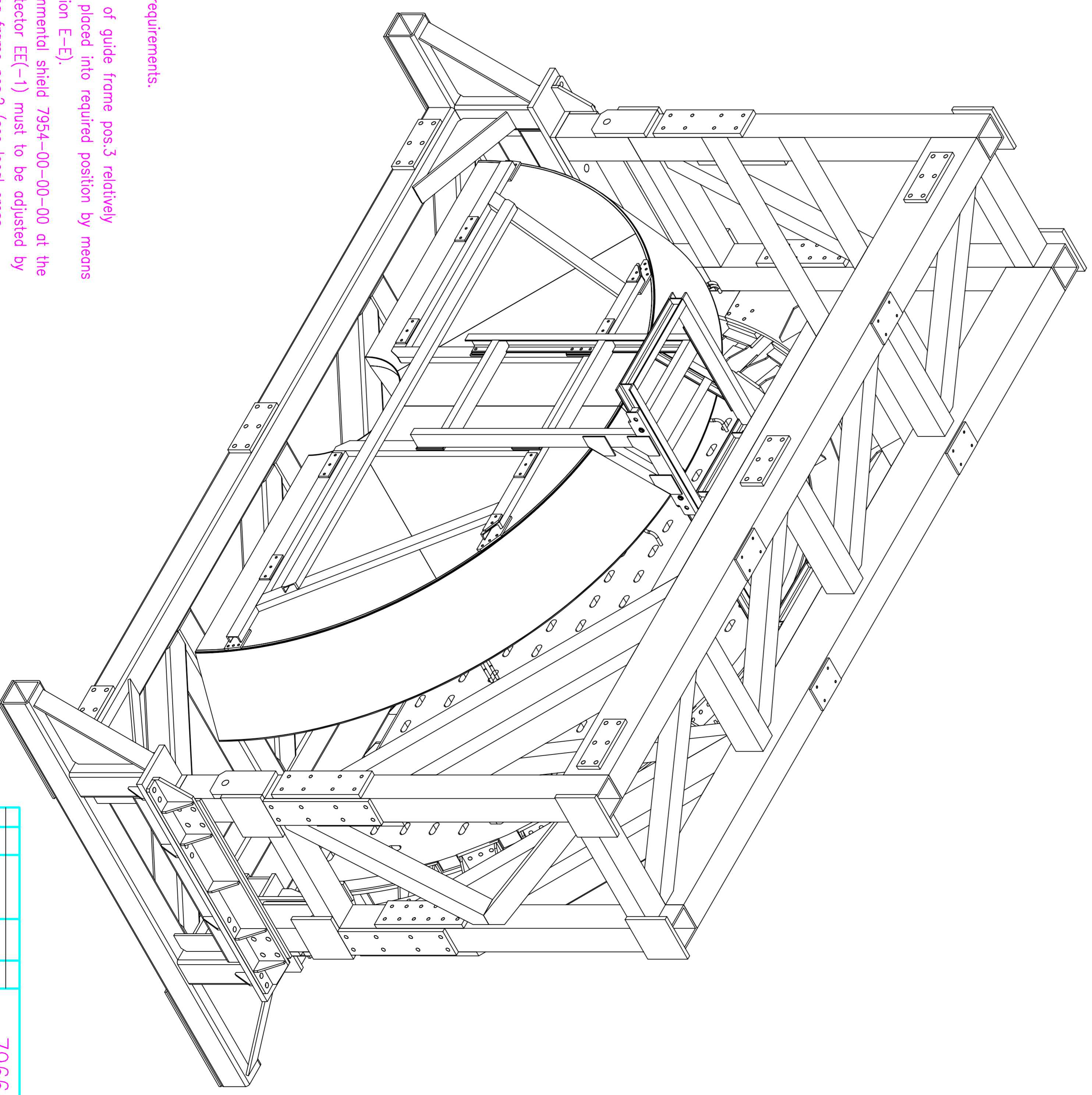


Approved: IJEP, Russia, EE CMS Technical Coordinator (Katchenov V.A.)

Rutherford Appleton Laboratory, UK, Engineer of Major Mechanics for the EE CMS (J.A.Hill)  
 CERN, Switzerland, CMS Integration Center, Principal engineer of Endcap CMS (Sukov A.N.)

Technical requirements.

1. Dimensions for reference.
2. Vertical location (height H1) of guide frame pos.3 relatively longitudinal axis Z must to be placed into required position by means of shims (see local cross-section E-E).
3. Horizontal location of environmental shield 7954-00-00-00 at the time of its installation onto detector EE(-1) must to be adjusted by means of screws M12 of moving frame pos.2 (see local cross section D-D).
4. Vertical location of environmental shield 7954-00-00-00 at the time of its installation onto detector EE(-1) must to be adjusted by means of fixing screws M12 of guide frame pos.3 (see cross section E-E).



PROJECT	7966-00-00-00 AD
SCALE	1:1.0
DATE	2011.05.11
DESIGNER	Y. I. Katchenov
CHECKER	V. A. Sukov
APPROVER	V. A. Sukov
FILE NAME	EE-05006.dwg
FORMAT	AD (B4) X1189